


# Every piece of jewellery is certified by SGL

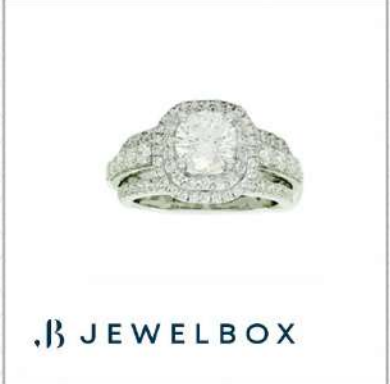
**Facsimile**



**LAB-GROWN DIAMOND  
JEWELRY REPORT**

**Report No. : SGLKJ464971X**  
**Kolkata**  
 Product.....Ring  
 Metal/Stamped.....White / 14k  
 Gross Weight.....5.13 grams  
**Centre Stone.....1 Lab Grown**  
 Shape.....Round Brilliant  
 Est. dia. wt. ....0.78 carat  
 Color.....F - G  
 Clarity.....VS  
**Side Stone(s).....84 Lab Grown**  
 Shape.....Round Brilliant  
 Est. dia. wt. ....0.83 carat  
 Color.....F - G  
 Clarity.....VS  
**OriginAssure™ Lab-Grown diamonds**


**Comments :**  
 Grading described insofar as mounting permits observations.  
 Gemmological identification is an expert opinion based on a  
 collection of observations and analytical data.




**JEWEL BOX**

**Report No. : SGLKJ464971X**  
 Product : Ring  
 Gross Weight : 5.13 grams  
 Color : F - G / F - G  
 Clarity : VS / VS  
 Est. dia. wt. : 0.78 / 0.83 carats  
**OriginAssure™ Lab-Grown diamonds**


Proud supporter of



Diamond Supply Chain Protection Kit




Scan the code with a smart phone to view the report on our website. Or visit our website www.sgl-labs.com and enter the report number exactly as it appears in the report.



AUTHENTICATED IN SGL

London New York Dubai | India

# Every 1 carat+ diamond is certified by IGI.



**INTERNATIONAL GEMOLOGICAL INSTITUTE**

**ELECTRONIC COPY**

**LABORATORY GROWN DIAMOND REPORT**

October 15, 2025  
 IGI Report Number **LG743530308**  
 Description **LABORATORY GROWN DIAMOND**  
 Shape and Cutting Style **ROUND BRILLIANT**  
 Measurements **7.46 - 7.51 X 4.63 MM**

**GRADING RESULTS**

Carat Weight **1.56 CARAT**  
 Color Grade **E**  
 Clarity Grade **VVS 2**  
 Cut Grade **IDEAL**

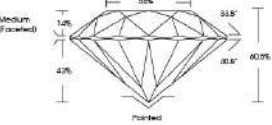
**ADDITIONAL GRADING INFORMATION**

Polish **EXCELLENT**  
 Symmetry **EXCELLENT**  
 Fluorescence **NONE**  
 Inscription(s) **IGI LG743530308**

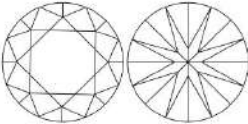
Comments: This Laboratory Grown Diamond was created by Chemical Vapor Deposition (CVD) growth process.  
 Type Iia

**LG743530308**  
 Report verification at igi.org

**PROPORTIONS**



**CLARITY CHARACTERISTICS**



**KEY TO SYMBOLS**

Red symbols indicate internal characteristics.  
 Green symbols indicate external characteristics.

**LABORATORY GROWN DIAMOND REPORT**

October 15, 2025

IGI Report Number **LG743530308**  
 Description **LABORATORY GROWN DIAMOND**  
 Shape and Cutting Style **ROUND BRILLIANT**  
 Measurements **7.46 - 7.51 X 4.63 MM**

**GRADING RESULTS**

Carat Weight **1.56 CARAT**  
 Color Grade **E**  
 Clarity Grade **VVS 2**  
 Cut Grade **IDEAL**

**ADDITIONAL GRADING INFORMATION**

Polish **EXCELLENT**  
 Symmetry **EXCELLENT**  
 Fluorescence **NONE**  
 Inscription(s) **IGI LG743530308**

Comments: This Laboratory Grown Diamond was created by Chemical Vapor Deposition (CVD) growth process.  
 Type Iia

www.igi.org

\*These are sample certificates.